

# HAZARD - Call 0121 446 4433

ASSET barriers offer an excellent, strong and sound, protection system against accidental damage to property from impacts.

On private and public car parks, around industrial, commercial or public buildings, in warehouses and delivery bays, on private roads there are endless situations where ASSET barriers can significantly improve safety.

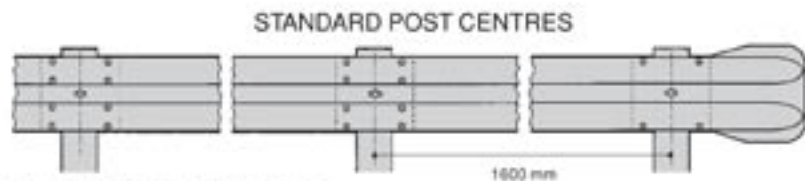


## STANDARD FLEX-BEAM GUARDRAIL

Flex-Beam designed for strength, durability and resilience. It has sufficient beam and joint strength to absorb heavy impacts.

Positive splices between the beam lengths are achieved with a 318mm wide lap using specially designed bolts. All rails are assembled with the overlap in the direction of the adjacent traffic flow so that vehicles cannot collide with an exposed end-of-rail.

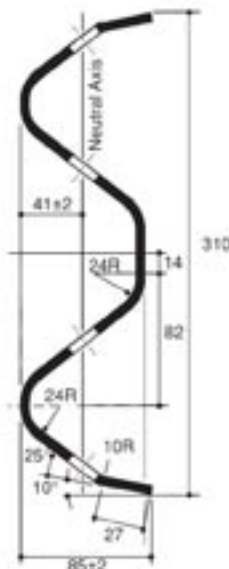
All rails are provided with additional mid-span bolt holes to cater for extra posts where additional strength is needed at particularly hazardous locations, or where excessive movement of the rail cannot be tolerated.



Dimensions and Physical Properties

Length m.	Thickness mm.	Weight Kg/panel	Sectional Area mm <sup>2</sup>	Section Modulus mm <sup>3</sup>	Material Specification
1.6*	3.0	23.0	1427	25330	Steel to BS EN 10025 Grade 430A galvanized to BS 729
3.2	3.0	42.4	1427	25330	Steel to BS 1449 Section 1.2 1991 Grade HR4 galvanized to BS 729

\* 1.6m length can be "adjusted" to account for small changes in floor angle.



All dimensions in mm  
Please see compatibility chart on back page

# Hazard call 0121 446 4433

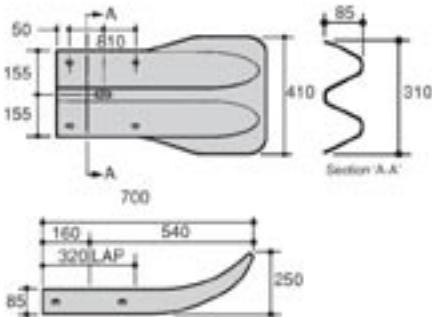
The Flex-Beam is designed to be flexible. It will offer an effective buffer while minimising damage to vehicles. It is hot-dip galvanised to BS729 for a maintenance free life and comes with optional safety plastic end caps. These are highly visible and will prevent accidental injury to pedestrians.

## FLEX-BEAM

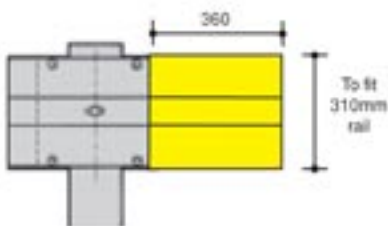
### Terminal End Type 'A'



Terminal sections type 'A' are made of strong ductile steel. They make the transition from a deeply corrugated section to a flat curve and are used primarily at exit ends of parking spaces.



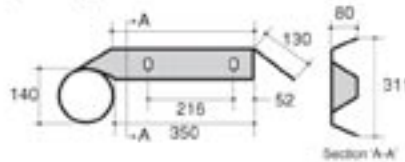
### Plastic End Cap



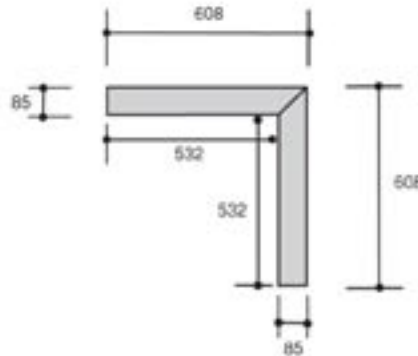
### Terminal Swirl End



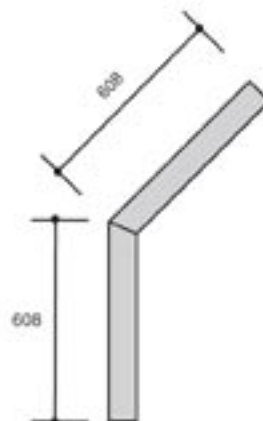
In pedestrian situations allows safer passage in front of and behind barriers



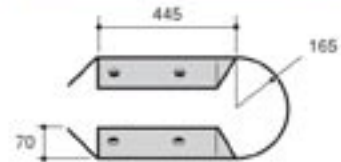
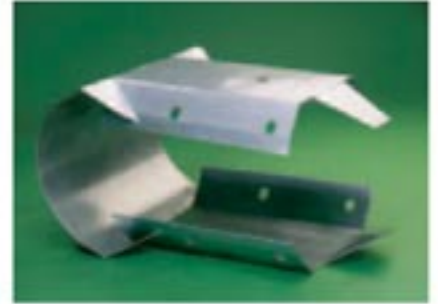
### External or Internal Corner Connector - Rigid



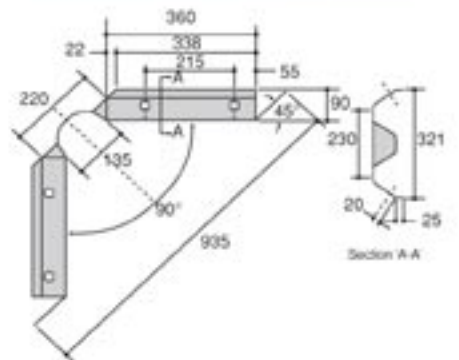
### 45° External or Internal Corner Connector - Rigid



### External Corner Connector - Flexible



### Internal Corner Connector - Flexible



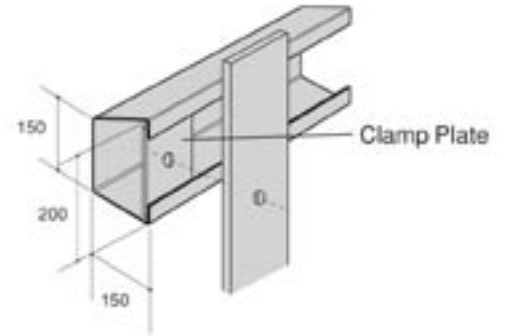
# HAZARD call 0121 446 4433

Open Box Beam barriers will prevent even HGVs from inflicting accidental damage to property. They are floor mounted on HDB buffers, which are strong and flexible to absorb a considerable impact.

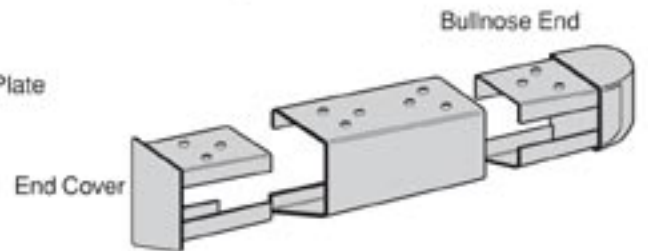
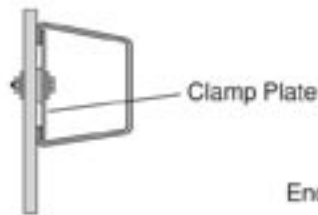
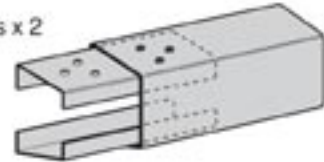


## OPEN BOX BEAM

5mm wall thickness, available in 1.2, 2.4 and 4.8 metre lengths

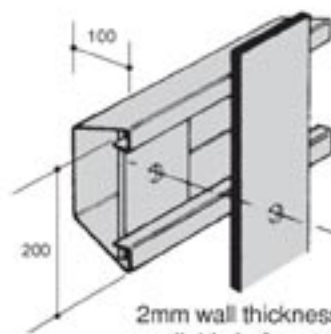


Fishplate Connectors x 2

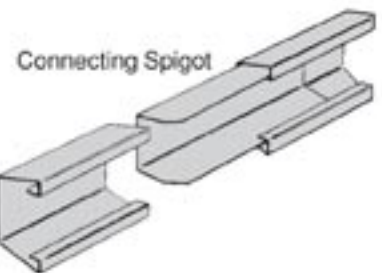


## BERRY BEAM

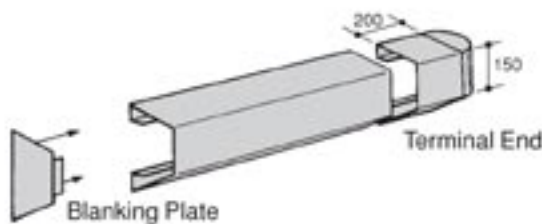
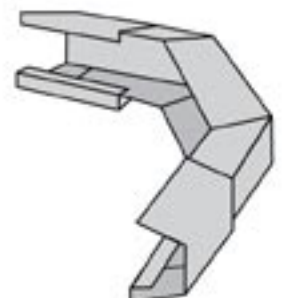
The Berry Beam Barrier provides protection equivalent to standard Flex-Beam performance. Only 100mm wide, its neat profile and minimalist design fits unobtrusively into the environment.



2mm wall thickness, available in 3 metre lengths



External Corner



All dimensions in mm

Please see compatibility chart on back page

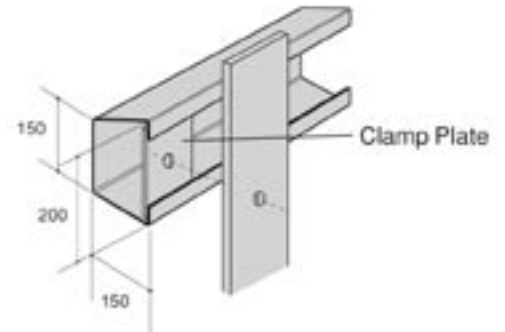
# HAZARD call 0121 446 4433

Open Box Beam barriers will prevent even HGVs from inflicting accidental damage to property. They are floor mounted on HDB buffers, which are strong and flexible to absorb a considerable impact.

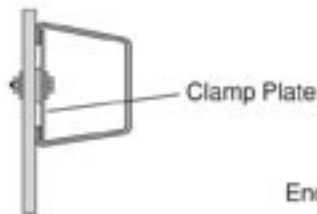
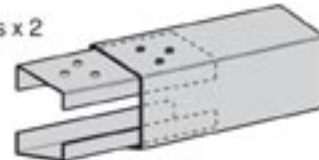


## OPEN BOX BEAM

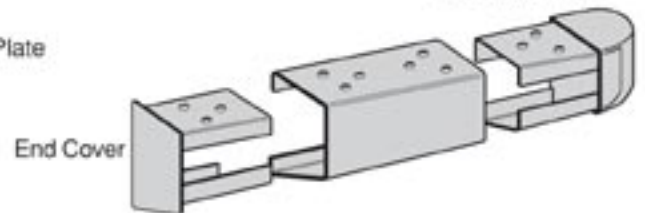
5mm wall thickness, available in 1.2, 2.4 and 4.8 metre lengths



Fishplate Connectors x 2

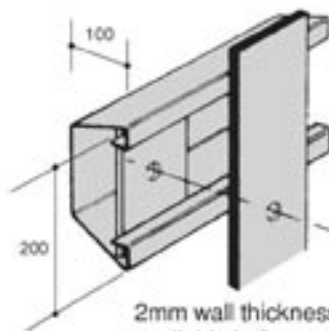


Bullnose End

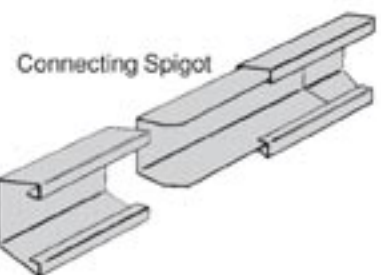


## BERRY BEAM

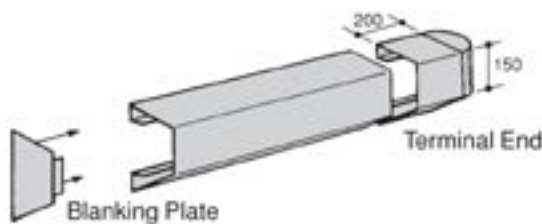
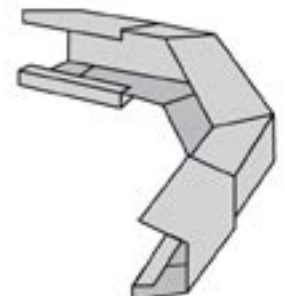
The Berry Beam Barrier provides protection equivalent to standard Flex-Beam performance. Only 100mm wide, its neat profile and minimalist design fits unobtrusively into the environment.



2mm wall thickness, available in 3 metre lengths



External Corner



All dimensions in mm

Please see compatibility chart on back page

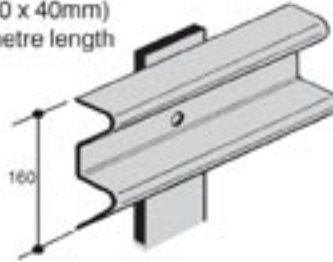
# HAZARD call 0121 446 4433

A range of Warehouse rails have been designed to provide protection from light industrial vehicles such as fork lift trucks.

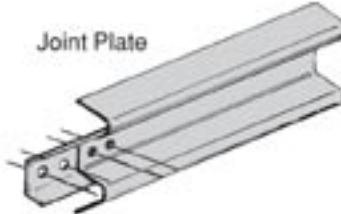


## WAREHOUSE RAIL SYSTEM

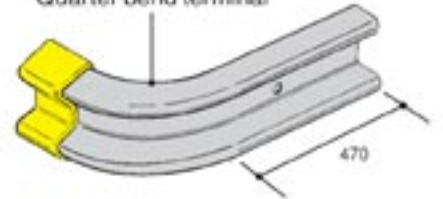
(160 x 40mm)  
4 metre length



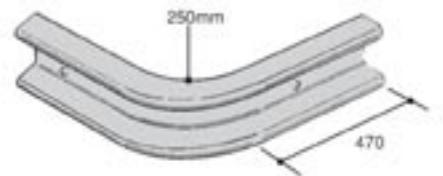
Joint Plate



Quarter bend terminal



90° Bend



## MONOSTRUT RAIL COLUMN UNIT

Supporting columns can easily be protected using Monostrut curved rails with a radius as tight as 400mm.

All dimensions in mm

Please see compatibility chart on back page

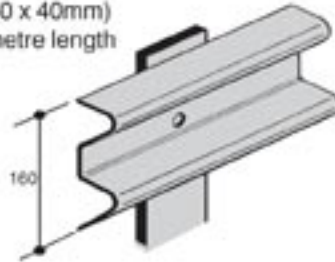
# HAZARD call 0121 446 4433

A range of Warehouse rails have been designed to provide protection from light industrial vehicles such as fork lift trucks.

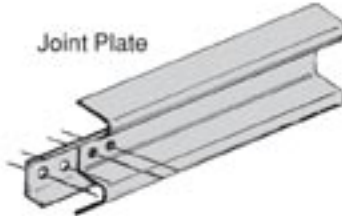


## WAREHOUSE RAIL SYSTEM

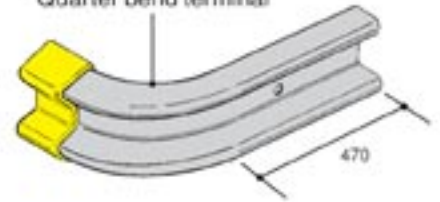
(160 x 40mm)  
4 metre length



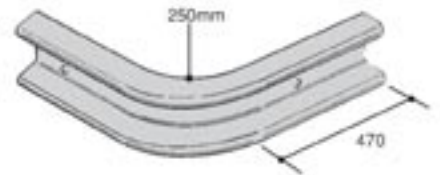
Joint Plate



Quarter bend terminal

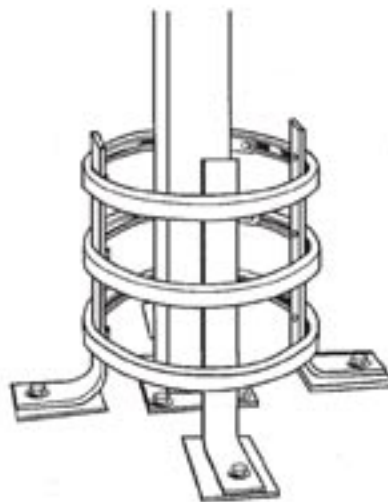


90° Bend



## MONOSTRUT RAIL COLUMN UNIT

Supporting columns can easily be protected using Monostrut curved rails with a radius as tight as 400mm.



All dimensions in mm

Please see compatibility chart on back page

# HAZARD call 0121 446 4433

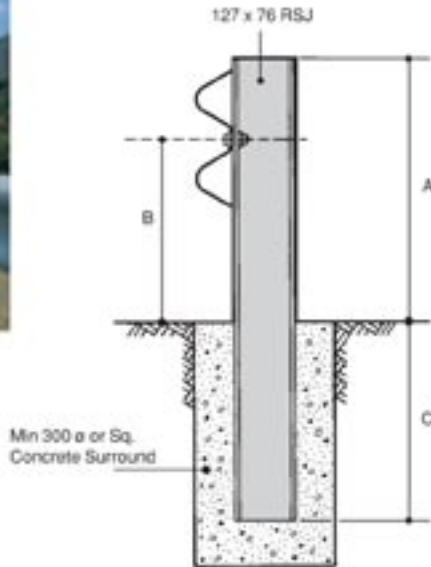
ASSET Steel Posts in several types of section have been in satisfactory service for many years.

For car park installations or loading areas where vehicle contacts are likely to be more frequent but less severe, a more rigid support is required to counter the tendency for posts to push out of line. In such cases mounting in concrete should be considered.



## RIGID STEEL POSTS

Typical arrangement at RSJ Post in Concrete Surround.

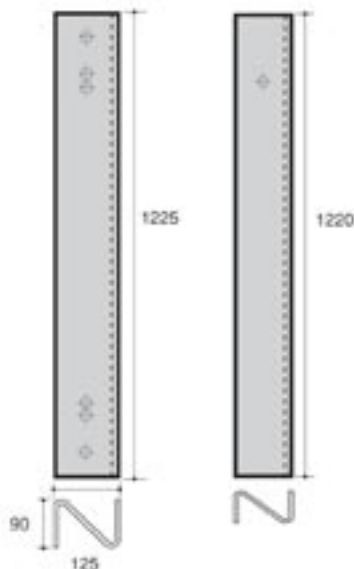


P 224 Type 3/1.1			P 224 Type 3/1.5		
A	B	C	A	B	C
600	412	500	800	612	700

## 'Z' Section Posts

125 x 90 x 6mm 'Z' Post, available in 1225mm lengths. Suitable for general contracts and for use with off-set bracket.

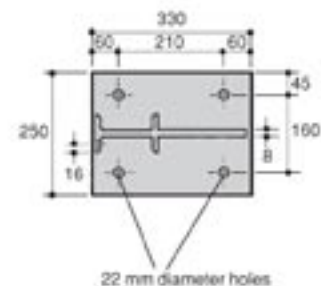
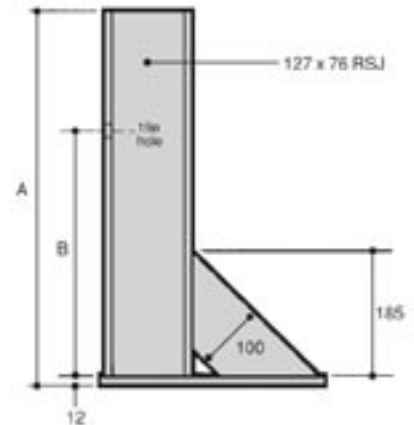
125 x 90 x 5mm 'Z' Post, available in 1220mm lengths.



## BOLT DOWN RIGID STEEL POSTS



Where barriers are to be mounted on bridge decks, floor slabs, foundation blocks etc., specially fabricated steel posts with base plates are employed.



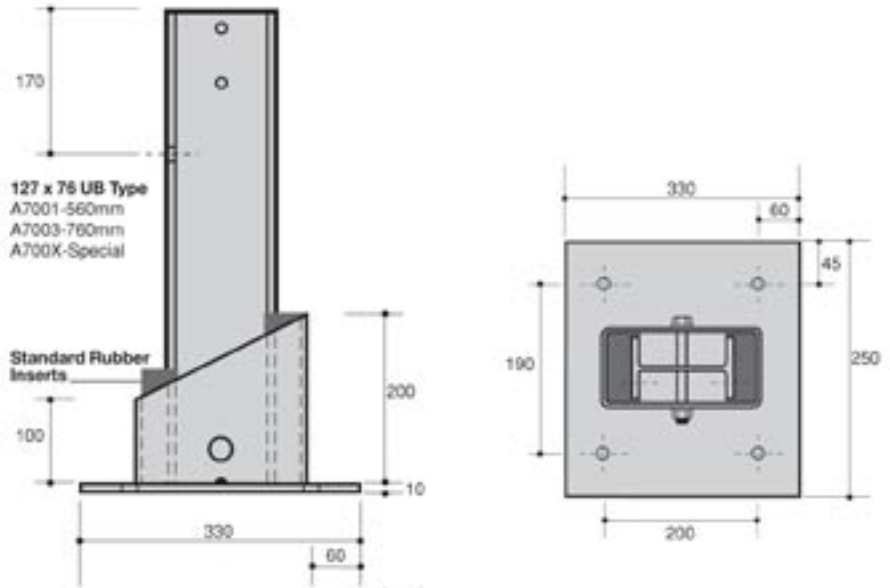
P 224 Type 1*		P 224 Type 2	
A	B	A	B
560	370	760	570

\*Car park height

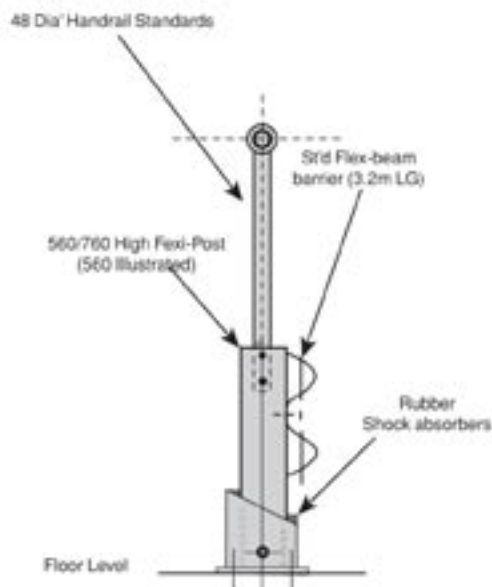
# HAZARD call 0121 446 4433

Flexi-Post barriers are constructed from untensioned safety beams attached to flexible floor mounted posts and will absorb an impact up to ten tonnes. Strong, resilient and safe, Flexi-Post barriers will protect vehicles, buildings, plant and people.

## FLEXI-POST



Flexi-Post with Flex-Beam



All dimensions in mm

Please see compatibility chart on back page



# HAZARD call 0121 446 4433

The ASSET range of barriers incorporates a unique design concept – SPRING STEEL BUFFERS. The system is now used widely for car park and industrial applications throughout the UK and overseas. Because the system is designed to absorb impact loads, barrier replacement and maintenance costs will be significantly reduced. Whilst many barrier designs have been based on the requirements of BS.6399 (barriers for car parks), a purpose built computer model enables ASSET to design barriers to protect against anything from light industrial trucks up to 40 tonne heavy goods vehicles. All can be used with Berry Beam or Flex-Beam except HDB which is used with Box Beam only.

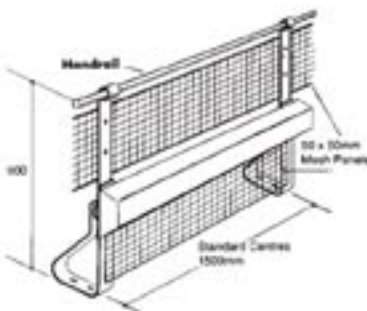


GH Buffers with Flex-Beam



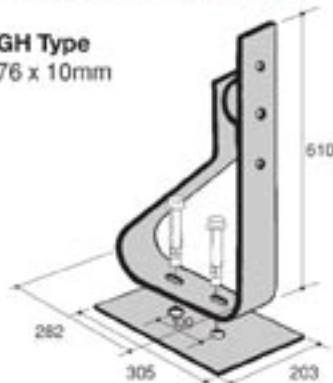
GH Buffers with Berry Beam

Because the SPRING STEEL barrier system is designed to absorb shock loads from impacting vehicles, the forces on the anchor bolts are significantly reduced, enabling spring steel buffers to be fitted to almost any concrete slab.

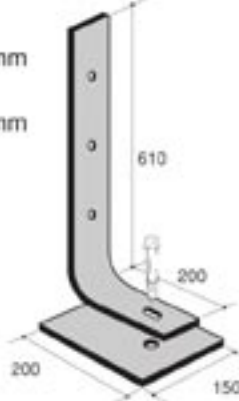


## SPRING STEEL BUFFERS

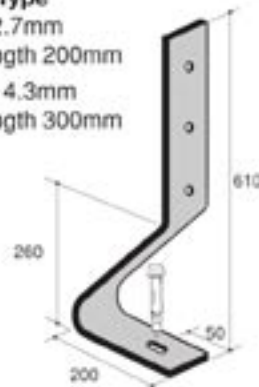
**GH Type**  
76 x 10mm



**RB1 Type**  
76 x 12.7mm  
foot length 200mm  
100 x 14.3mm  
foot length 300mm



**RB1X Type**  
76 x 12.7mm  
foot length 200mm  
100 x 14.3mm  
foot length 300mm

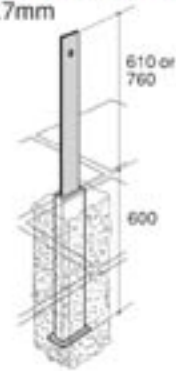


**RB610**



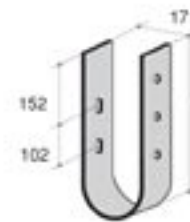
## PLANTED POST BUFFERS

76 x 12.7mm

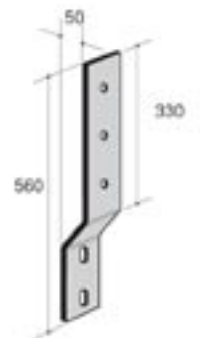


## WALL MOUNTED BUFFERS

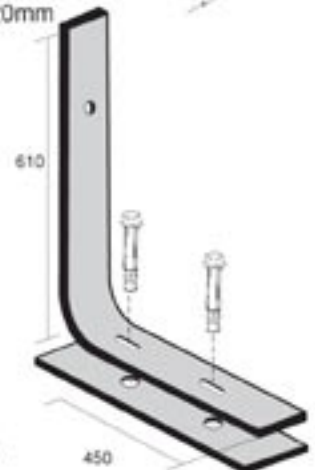
**WH Type**  
76 x 10mm



**WB1 Type**  
76 x 10mm



**HDB Type**  
100 x 20mm



**RB235**



All dimensions in mm

Please see compatibility chart on back page